



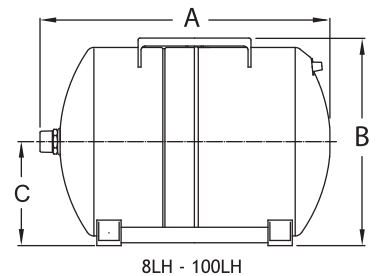
ISO:9001 ACS WRAS PCF CE NSF

HPN TANKS

Pressure Wave™ Series

DESIGN FEATURES

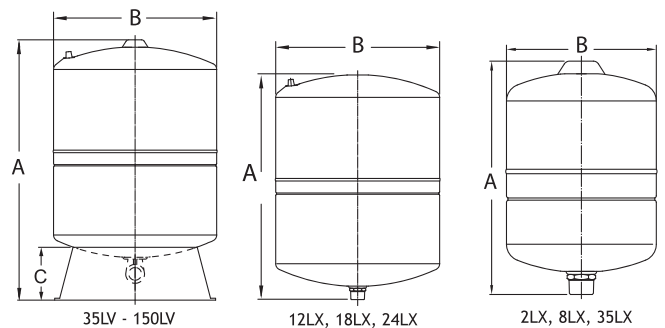
- » Single diaphragm design
- » NSF Standard 61, CE/PED, WRAS, ACS, Evrazes, ISO:9001 & Gost, Evrazes
- » Patented stainless steel water connection
- » Virgin polypropylene liner
- » Two part polyurethane, epoxy primed paint finish
- » Leak free O-ring sealed air valve cap
- » Comprehensive testing
- » Low on maintenance
- » Maximum working temperature 90°C
- » Maximum working pressure 10 Bar



APPLICATIONS

Pressure Wave™ tanks are ideally suited for a wide range of applications including:

- » Booster systems
- » Thermal expansion
- » Irrigation systems
- » Hydraulic hammer arresting
- » Fire fighting



PRODUCT DETAILS

BSP		Nominal Volume		Shipping (Box) Volume		Shipping (Box) Weight		Dimensions					
Old Part Number	New Part Number	liter	gal	m ³	ft ³	kg	lbs	A		B		C	
								cm	inches	cm	inches	cm	Inches
PWB2	PWB -2LX	2.00	0.50	0.06	2.12	13.60	29.98	20.90	8.23	12.60	4.96	-	-
PWB4	PWB -4LX	4.00	1.10	0.01	0.35	1.71	3.77	26.10	10.28	16.20	6.38	-	-
PWB8	PWB -8LX	8.00	2.10	0.01	0.49	2.40	5.29	31.30	33.60	20.20	7.95	-	-
PWB12	PWB -12LX	12.00	3.20	0.02	0.81	3.10	6.83	36.50	14.37	23.00	9.06	-	-
PWB18	PWB -18LX	18.00	4.80	0.03	1.06	4.10	9.04	36.70	14.45	27.90	10.98	-	-
PWB24	PWB -24LX	24.00	6.30	0.04	1.48	5.00	11.00	44.70	17.60	29.00	11.42	-	-
PWB35	PWB -35LX	35.00	9.30	0.06	1.98	7.00	15.43	48.10	18.90	31.80	12.52	-	-
Horizontal Models													
PWB8H	PWB -8LH	8.00	2.10	0.01	0.46	2.46	5.42	31.30	12.32	23.20	9.13	11.60	4.57
PWB12H	PWB -12LH	12.00	3.20	0.02	0.85	3.25	7.17	36.50	14.37	26.00	10.24	13.00	5.12
PWB20H	PWB -20LH	20.00	5.30	0.04	1.41	5.00	11.02	44.70	17.60	29.40	11.57	14.70	5.79
PWB24H	PWB -24LH	24.00	6.30	0.05	1.65	5.90	13.01	44.70	17.60	32.10	12.64	16.10	6.34
PWB35H	PWB -35LH	35.00	9.30	0.06	2.15	8.20	18.08	48.10	18.94	35.30	13.90	17.90	7.05
PWB60H	PWB -60LH	60.00	15.90	0.09	3.18	11.40	25.13	53.00	20.87	42.40	16.69	21.50	8.46
PWB80H	PWB -80LH	80.00	21.10	0.13	4.59	16.10	35.49	72.60	28.58	42.40	16.69	21.50	8.46
PWB100H	PWB -100LH	100.00	26.40	0.16	5.65	19.20	42.33	72.00	28.35	47.50	18.70	24.50	9.65
Vertical Models w/base													
PWB35V	PWB -35LV	35.00	9.30	0.06	2.22	7.80	17.20	55.50	21.85	31.80	12.52	12.00	4.72
PWB60V	PWB -60LV	60.00	15.90	0.10	3.46	11.80	26.01	62.00	24.41	38.90	15.31	12.70	5.00
PWB80V	PWB -80LV	80.00	21.10	0.13	4.59	16.20	35.71	81.50	32.09	38.90	15.31	12.70	5.00
PWB100V	PWB -100LV	100.00	26.40	0.16	5.65	19.10	42.11	80.40	31.65	43.00	16.93	12.90	5.08
PWB150V	PWB -150LV	150.00	40.00	0.21	7.42	26.70	58.86	81.80	32.80	53.00	20.87	13.85	5.45

TOLL FREE:
1800 102 4466

www.aventura.co.in