

# AVENTURA

Components Are Everything

Available in sizes from 800mm to 2000mm diameter



Disclaimer: Product images are for illustration purposes only. Actual product may vary.

## JUMBO FRP PRESSURE VESSEL with Top and Side Manholes

### DESCRIPTION

Aventura offers best-in-class FRP pressure vessels with side and top manhole, applicable for any water or wastewater treatment systems. With durable FRP filament wound material, these vessels are non-corrosive and light in weight enabling longer life and easy installation at site. Available from 800mm to 2000mm in diameter, these vessels can cater to a wide range of filtration and softening applications in water and wastewater segments.

### DESIGN FEATURES

- » High performance FRP filament wound outer shell
- » Top and Side manhole for easy filling and removal of media
- » Sight glass to examine process operation during service, regeneration and backwash
- » Inlet and outlet flanges are compatible with standard PP top distributors and bottom collectors
- » 100% corrosion resistance
- » Light weight and easy to install at site

### APPLICATION

- » Industrial water and wastewater filtration
- » Commercial water filtration
- » Softening application
- » Demineralization application
- » Iron removal filters

### OPERATING CONDITIONS

- » Operating pressure 5 bar
- » Test pressure 7.5 bar
- » Maximum operating temperature 65°C

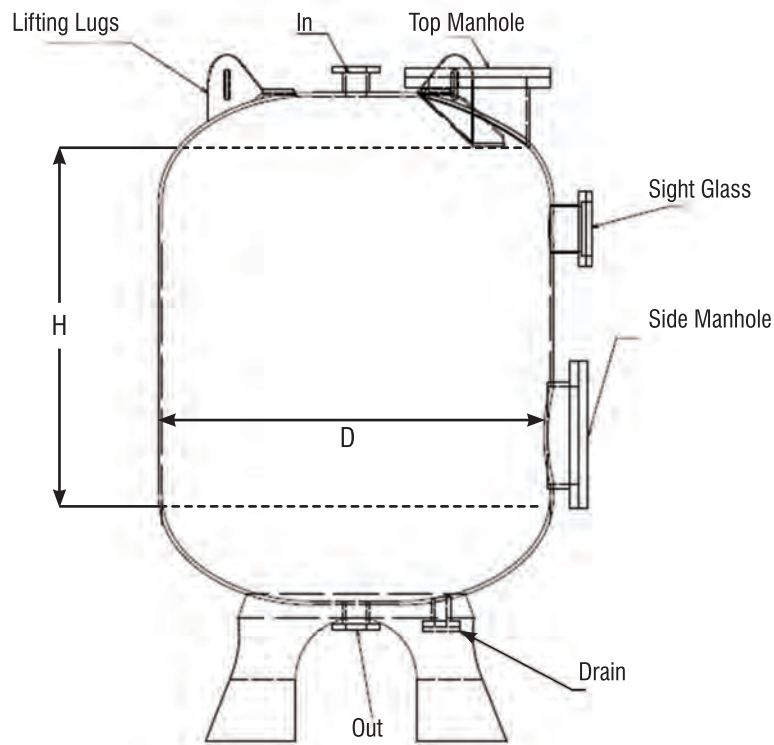
### ADVANTAGES

- » Light weight
- » 100% corrosion resistance
- » Long life
- » Fast delivery
- » No routine painting
- » Aesthetic looking

## PRODUCT DETAILS

Size (Inch)	Volume	Nominal Weight(Kg)	Opening		Dimension (mm)			Manhole Size (mm)	
	Liter		Top	Bottom	D	H	TH	Top	Side
32x77	825	134	6" flange	6" flange	800	1500	2050	300	300
40x81	1280	202	6" flange	6" flange	1000	1500	2325	400	400
48x86	1800	232	6" flange	6" flange	1200	1500	2292	400	400
63x91	2800	290	6" flange	6" flange	1600	1176	2296	400	400
78x91	3500	350	6" flange	6" flange	2000	900	2300	400	400
78x114	5500	429	6" flange	6" flange	2000	1500	2900	400	400

## PRODUCT DRAWING



\*This diagram is only for representation purpose, please refer to engg. drawings for actual size.

**TOLL FREE:**  
**1800 102 4466**

[www.aventura.co.in](http://www.aventura.co.in)