

FRP Pressure Vessels with Top and Side Manholes

Description

Aventura offers best-in-class FRP pressure vessels with side and top manhole, applicable for any water or wastewater treatment systems. With durable FRP filament wound material, these vessels are non-corrosive and light in weight enabling longer life and easy installation at site. Available from 800mm to 2000mm in diameter, these vessels can cater to a wide range of filtration and softening applications in water and wastewater segments.

Design Features

- High performance FRP filament wound outer shell
- Top and Side manhole for easy filling and removal of media
- Sight glass to examine process operation during service, regeneration and backwash
- Inlet and outlet flanges are compatible with standard PP top distributors and bottom collectors
- 100% corrosion resistance
- Light weight and easy to install at site

Applications

- Industrial water and wastewater filtration
- Commercial water filtration
- Softening application
- Demineralization application
- Iron removal filters

Operating Conditions

- Operating pressure 5 bar
- Test pressure 9 bar
- Maximum operating temperature 65°C

Top and Side manholes for easy media and resin replacement



Available sizes from 800mm to 2000mm diameter

Disclaimer: Product images are for illustration purposes only. Actual product may vary.

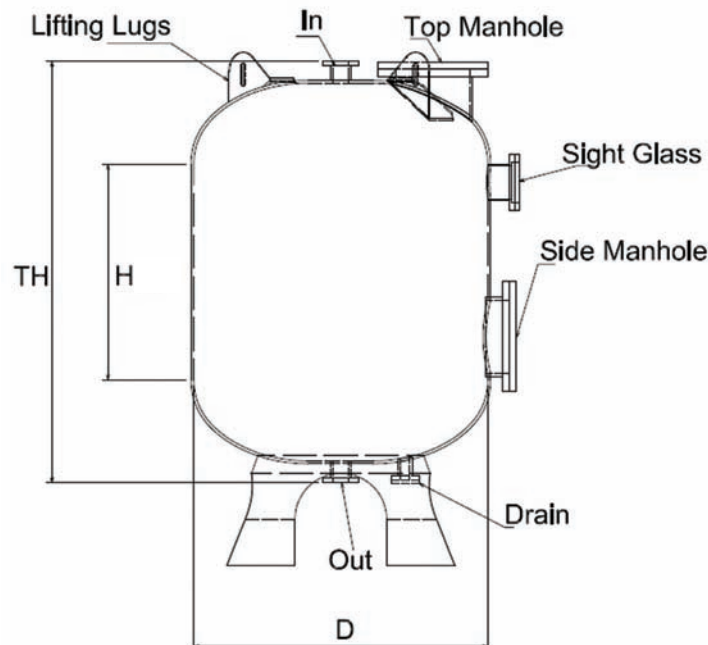
Advantages

- Light weight
- 100% corrosion resistance
- Long life
- Fast delivery
- No routine painting
- Aesthetic looking

Product Details

Size (Inch)	Volume	Nominal Weight(Kg)	Opening		Dimension (mm)			Manhole Size (mm)	
	Liter		Top	Bottom	D	H	TH	Top	Side
32x77	825	125	6" flange	6" flange	800	1500	1940	300	300
40x81	1275	175	6" flange	6" flange	1000	1500	2060	400	400
48x86	1850	225	6" flange	6" flange	1200	1500	2180	400	400
63x91	2575	300	6" flange	6" flange	1600	1176	2296	400	400
78x91	3075	450	6" flange	6" flange	2000	900	2300	400	400
78x114	5100	575	6" flange	6" flange	2000	1500	2900	400	400

Product Drawing



Value of 5

World Class
Products and
Technology

Knowledge
Sharing

Extensive
Reach

Integrated
Solutions

Building
Relationships

AVENTURA COMPONENTS PVT. LTD.

 | AN EARTH WATER ENTERPRISE

A-1/152, Neb Sarai, IGNOU Road, New Delhi - 110 068, INDIA
 T: +91-11-4310 0516 | F: +91-11-4310 0599 | M: +91-97176 90522
 E: marketing@aventura.co.in | W: www.aventura.co.in

Present at: • Ahmedabad • Bengaluru • Chennai
 • Hyderabad • Kolkata • Mumbai • Pune

TOLL FREE: 1800 102 4466

Our Partner